



Corning® TrueDrop™ Portfolio

New Corning® TrueDrop™ connectors

The new family of TrueDrop connectors offers breakthrough improvements over F compression connectors, giving you less network noise, greater ease of use, and better overall reliability.

- Larger conical mating surface provides better alignment and mating quality with all ports, compared to standard connectors
- Wider sleeve heel provides 360° electrical contact for all cables
- Improved seating prevents O-ring damage pre- and post-installation and at re-installation
- Dielectric stop at F nut boosts installation quality
- Grooved nut for better grip, easier tightening, and quicker installation
- Straight knurling for improved grip on nut

TrueDrop™ Portfolio – What's new?

TrueDrop™ connectors and jumpers*

CX3™ portfolio upgrade and consolidation

- Larger conical mating surface provides better alignment and O-ring seating
- Better Female thread engagement
- Dielectric stop disables dielectric push-through
- Grooved nut for better grip, easier tightening, and quicker installation
- Wider sleeve heel provides 360° electrical contact for all cables
- Higher cable torsion and straight knurling for improved grip and installation
- A++ jumper shielding



TrueDrop Connector

Connections you can trust



99909941

* The full volume of the TrueDrop connectors will be available from Q4 2019
All not shown drop products will be discontinued

TrueDrop™ Connector – F Standard Compression

New Features / New Interface

Improved Interface Seal

1. O-ring not damaged by thread/installation

F Nut: larger thread engagement area and finger friendly design

1. Compensates for varying F Female thread qualities
2. More strong mechanical contact between F Female and F Male ports prevents loosening of connectors
3. Nut Design eases tightening F Nut on Port
4. F Nut tightening quality improved

Mating Surface: Self-Centering and maximizing electrical contact

1. Compensating for varying Female surface qualities
2. Ensuring 360° RF tightness

Dielectric Stop

1. Prevention of pass/ push through

Benefits

1. Mating Surface

- a. Optimum mechanical and RF fit
 - Less maintenance calls
 - No more loose F connector
 - Best possible noise and ingress protection

2. F Nut

- a. Ensures high torque and low resistance
 - Less maintenance calls
 - No more loose F connector
 - Best possible noise and ingress protection

3. Stop

- a. Flawless installation features
 - Less maintenance calls
 - Safe installation with mechanical stop for cable

4. Interface Seal

- a. Improved repeat installations with seal intact
 - Best possible moisture, noise, and ingress protection

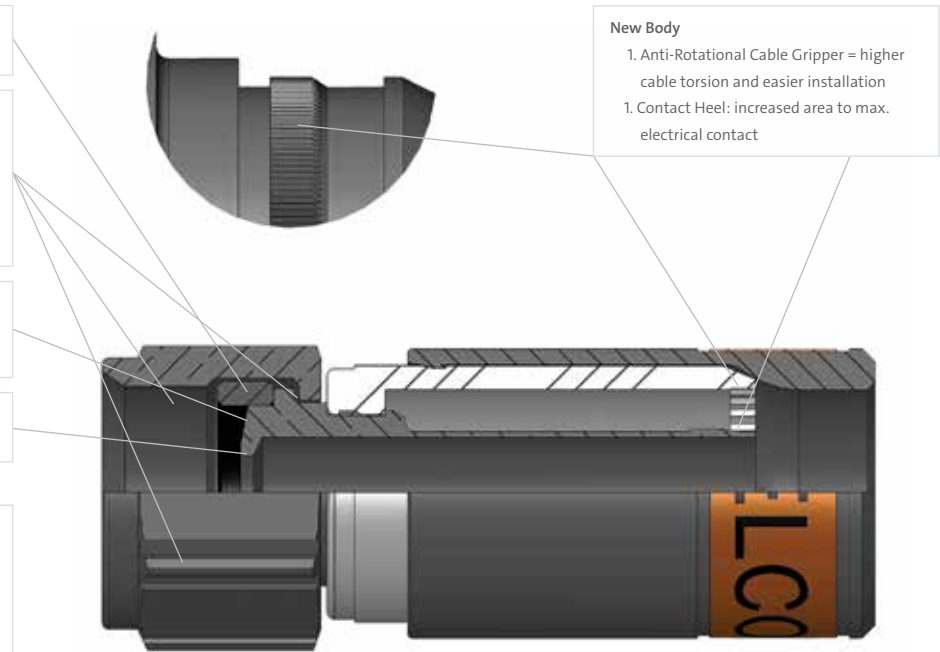
5. New Body

- a. New internal design improves handling and cable aging issues

New Features / New Body

New Body

1. Anti-Rotational Cable Gripper = higher cable torsion and easier installation
1. Contact Heel: increased area to max. electrical contact



| New TD item no. | Name | Description |
|--|-----------------|--|
| Heading: F Male Feed through with interface seal | | |
| 99909916 | F-59-TD 3.7 | for MINI RG59 cable dielectric ϕ . 3,4-3,5 mm |
| 99909921 | F-59-TD 3.9 | for RG59 cable dielectric ϕ . 3,6-3,7 mm |
| 99909935 | F-59-TD 3.9 HEC | for RG59 HEC cable dielectric ϕ . 3,6-3,7 mm |
| 99909941 | F-6-TD 4.9 | for RG6 cable dielectric ϕ . 4,6-4,7 mm |
| 99909946 | F-6-TD 5.1 | for RG6 cable dielectric ϕ . 4,8-4,9 mm |

TrueDrop™ Connectors – with F QuickMount™ Compression

New Features / New Interface

Mating Surface: Self-Centering and maximizing electrical contact

1. Compensating for varying Female surface qualities
2. Ensuring 360° RF tightness

F Nut: larger thread engagement area and finger friendly design

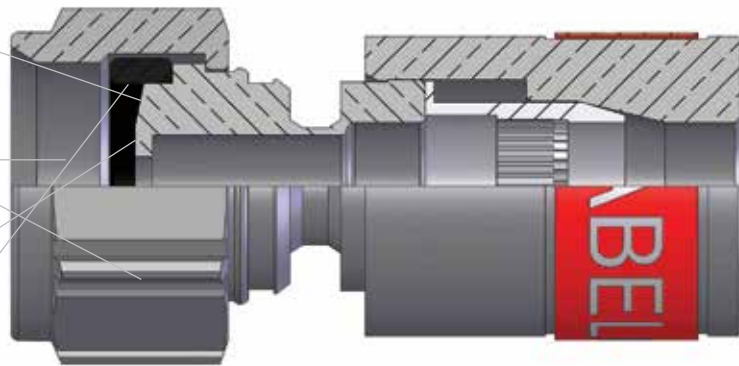
1. Compensates for varying F Female thread qualities
2. More strong mechanical contact between F Female and F Male ports prevents loosening of connectors
3. Nut design eases tightening F Nut on Port

Dielectric Stop

1. Prevention of pass/ push through

Improved Interface Seal

1. O-ring not damaged by thread/ installation



Benefits

1. Mating Surface

- a. Optimum mechanical and RF fit
 - Less maintenance calls
 - No more loose F connector
 - Best possible noise and ingress protection

2. F Nut

- a. Ensures high torque and low resistance
 - Less maintenance calls
 - No more loose F connector
 - Best possible noise and ingress protection

3. Stop

- a. Flawless installation features.
 - Less maintenance calls
 - Safe installation with mechanical stop for cable

4. Interface Seal

- a. Improved repeat installations with seal intact.
 - Best possible moisture, noise and ingress protection

5. New Body



- a. New internal design improves handling and cable aging issues

| New TD item no. | Name | Description |
|---|----------------------------------|----------------------------|
| Heading: F Male PushPin without interface seal | | |
| 99909901 | FM-MINI-TD QM 4.0 SHORT W/O-RING | for MINI 4.0 mm cable |
| 99909902 | FM-MINI-TD QM 3.1 | for MINI 3.1 mm cable |
| 99909903 | FM-MINI-TD QM 4.0 | for MINI 4.0 mm cable |
| 99909904 | FM-MINI-TD QM 4.5 | for MINI 4.5 mm cable |
| 99909906 | FM-MINI-TD QM 5.0 | for MINI/RGS9 5.0 mm cable |
| Heading: F Male Feed through without interface seal | | |
| 99909909 | F-MINI-TD QM 4.5 SHORT W/O-RING | for MINI 4.5 mm cable |
| 99909910 | F-MINI-TD QM 5.0 SHORT W/O-RING | for MINI 5.0 mm cable |
| 99909911 | F-59-TD QM 6.0 SHORT W/O-RING | for RGS9 6.0 mm cable |
| 99909913 | F-6-TD QM 7.0 W/O O-RING | for RG6 7.0 mm cable |
| 99909914 | F-6-TD QM 7.0 SHORT W/O O-RING | for MINI 4.5 mm cable |
| Heading: F Male Feed through with interface seal | | |
| 99909912 | F-6-TD QM 7.0 | for RG6 7.0 mm cable |

TrueDrop™ Portfolio – General Specifications

Features

- Conical Interface
- O-ring
- Grooved Nut
- Cable Gripper
- Support Sleeve: Dielectric stop and contact heel
- Enhanced F Nut thread

| Technical Data*1 | TrueDrop™ standard compression | TrueDrop™ QuickMount™ Connector*1 |
|--|---|---|
| |  |  |
| Transfer Impedance (CoMeT) 5-30 MHz | Class A++ | Class A++ |
| Screening Attenuation (CoMet) 30-3.000 MHz | Class A++ | Class A++ |
| Intermodulation 3rd Order @ 2 x 20 dBm | < -167 dBc | < -130 dBc |
| Sealing Test (IEC IP-code) | IP X8 30 meter / 8 hour | IP X8 30 meter / 8 hour |
| Return Loss @ 1.0 GHz | < -39 dB | < -32 dB |
| Return Loss @ 2.0 GHz | < -39 dB | < -25 dB |
| Return Loss @ 3.0 GHz | < -39 dB | < -22 dB |
| Insertion Loss @ 1.0 GHz | < -0,01 dB | < -0,10 dB |
| Insertion Loss @ 2.0 GHz | < -0,02 dB | < -0,10 dB |
| Insertion Loss @ 3.0 GHz | < -0,05 dB | < -0,10 dB |
| Maximum tensile strength | > 50% better than cable specifications | > 50% better than cable specifications |

* Data is cable dependent

1 General connector performance may change depending on cable type

Various Drop Connectors

IEC & BNC Compression & SC Self Install Connectors

| Item no. | Name | Description |
|---|--------------------------------|--|
| F with Standard F Nut Self-Install | | |
| 99909631 | F-56 4.9 Self-Install Nitin | For RG6 7.0 mm cable, with 4.6 mm dielectric |
| 99909636 | F-56 5.1 Self-Install Nitin | For RG6 7.0 mm cable, with 4.8 mm dielectric |
| F with Standard F Nut CX3® Standard Compression | | |
| 99909441-01 | F-56-CX3 4.9 | For RG6 7.0 mm cable, with 4.6 mm dielectric |
| 99909581 | F-56-CX3 4.9 | For RG6 7.0 mm cable, with 4.6 mm dielectric |
| 99909446-01 | F-56-CX3 5.1 | For RG6 7.0 mm cable, with 4.8 mm dielectric |
| F with Standard F Nut CX3 QuickMount™ Connector | | |
| 99909407-02 | F-56-CX3 7.0 QM | For RG6 7.0 mm cable |
| 99909412 | F-56-CX3 7.0 QM without O-ring | For RG6 7.0 mm cable (no interface seal) |
| 99909430 | F-56-CX3 7.0 QM Short | For RG6 7.0 mm cable |
| F with SpringConnect Self-Install | | |
| 99909673 | F SC-56 5.1 Self-Install | For RG6 7.0 mm cable, with 4.6-4.8 mm dielectric |
| F with SpringConnect Standard Compression | | |
| 99909549-01 | F SC-56-CX3 4.9 Short | For RG6 7.0 mm cable, with 4.6 mm dielectric |
| IEC Self-Install | | |
| 99909686 | IECM-56 5.1 Self-Install | For RG6 7.0 mm cable, with 4.6-4.8 mm dielectric |
| 99909692 | 90-IECM-56 5.1 Self-Install | For RG6 7.0 mm cable, with 4.6-4.8 mm dielectric |
| 99909690 | IECF-56 5.1 Self-Install | For RG6 7.0 mm cable, with 4.6-4.8 mm dielectric |
| 99909691 | 90-IECF-56 5.1 Self-Install | For RG6 7.0 mm cable, with 4.6-4.8 mm dielectric |
| IEC CX3 Standard Compression | | |
| 99909484-02 | IECM-56-CX3 4.9 | For RG6 7.0 mm cable, with 4.6 mm dielectric |
| 99909486-02 | IECM-56-CX3 5.1 | For RG6 7.0 mm cable, with 4.8 mm dielectric |
| 99909494-01 | IECF-56-CX3 4.9 | For RG6 7.0 mm cable, with 4.6 mm dielectric |
| 99909496-01 | IECF-56-CX3 5.1 | For RG6 7.0 mm cable, with 4.8 mm dielectric |
| BNC CX3 Standard Compression | | |
| 99909475-02 | BNCM-56-CX3 4.9 | For RG6 7.0 mm cable, with 4.6 mm dielectric |
| 99909476-02 | BNCM-56-CX3 5.1 | For RG6 7.0 mm cable, with 4.8 mm dielectric |
| IEC Male connectors | | |
| 99909482-01 | IECM-59-CX3 3.9 | For RG59 cable dielectric ø. 3.6-3.7 mm |
| 99909484-02 | IECM-56-CX3 4.9 | For RG6 cable dielectric ø. 4.6-4.7 mm |
| 99909486-02 | IECM-56-CX3 5.1 | For RG6 cable dielectric ø. 4.8-4.9 mm |
| 99909686 | IECM-56 5.1 SELF INSTALL | For RG6 cable dielectric ø. 4.6-4.9 mm |



99909673



99909686



99909692



99909690



99909691



99909494-01

| Item no. | Name | Description |
|--|--------------------------------------|--|
| IEC Female connectors | | |
| 99909492-01 | IECF-59-CX3 3.9 | For MINI RG59 cable dielectric ø. 3.4-3.5 mm |
| 99909494-01 | IECF-56-CX3 4.9 | For RG6 cable dielectric ø. 4.6-4.7 mm |
| 99909496-01 | IECF-56-CX3 5.1 | For RG6 cable dielectric ø. 4.8-4.9 mm |
| 99909690 | IECF-56 5.1 SELF INSTALL | For RG6 cable dielectric ø. 4.6-4.9 mm |
| F Male SpringConnect | | |
| 99909549-01 | F SC-56-CX3 4.9 SHORT | For RG6 cable dielectric ø. 4.6-4.7 mm |
| 99909569 | F SC-56-CX3 4.9 SHORT Class A spring | For RG6 cable dielectric ø. 4.6-4.7 mm |
| 99909673 | F SC-56 5.1 SELF INSTALL | For RG6 cable dielectric ø. 4.6-4.9 mm |
| 99909553-01 | F SC-56-CX3 5.1 SHORT | For RG6 cable dielectric ø. 4.8-4.9 mm |
| E Male connector | | |
| 99909540-01 | E-56-CX3 4.9 | For RG6 cable dielectric ø. 4.6-4.7 mm |
| 99909545-01 | E-56-CX3 5.1 | For RG6 cable dielectric ø. 4.8-4.9 mm |
| 90-degree right angle IEC Male connector | | |
| 99909692 | 90-IECM-56 5.1 SELF-INSTALL | For RG6 cable dielectric ø. 4.6-4.9 mm |
| 90-degree right angle IEC Female connector | | |
| 99909691 | 90-IECF-56 5.1 SELF-INSTALL | For RG6 cable dielectric ø. 4.6-4.9 mm |
| 90-degree right angle F Male connector | | |
| 99530053-01 | 90-FM-59-ALM 3.7/6.4 HQ | For MINI RG59 cable dielectric ø. 3.4-3.5 mm |
| 99530059-01 | 90-FM-56-ALM 5.1/8.4 HQ | For RG6 cable dielectric ø. 4.8-4.9 mm |
| 99909597 | 90-FM-56-CX3 7.0 QM | For RG6 7.0 mm cable |
| MCX Male connectors | | |
| 99909803 | MCX-60-CX3 MINI 4.0 QM | For MINI 4.0 mm cable |
| 99909804-01 | MCX-60-CX3 MINI 4.5 | For MINI 4.5 mm cable |
| 99909805 | MCX-59-CX3 5.0 QM | For MINI 5.0 mm cable |
| BNC Male connectors | | |
| 99909462-01 | BNCM-60-CX3 MINI 3.1 | For MINI 3.1 mm cable |
| 99909463-01 | BNCM-60-CX3 MINI 4.0 | For MINI 4.0 mm cable |
| 99909464-03 | BNCM-60-CX3 MINI 4.5 | For MINI 4.5 mm cable |
| 99909465-01 | BNCM-60-CX3 MINI 5.0 | For MINI 5.0 mm cable |
| 99909472-02 | BNCM-59-CX3 3.7 | For MINI RG59 cable dielectric ø. 3.4-3.5mm |
| 99909473-02 | BNCM-59-CX3 3.9 | For RG59 cable dielectric ø. 3.6-3.7mm |
| 99909474-02 | BNCM-59-CX3 3.9/HEC | For RG59 HEC cable dielectric ø. 3.6-3.7mm |
| 99909475-02 | BNCM-56-CX3 4.9 | For RG6 cable dielectric ø. 4.6-4.7mm |
| 99909476-02 | BNCM-56-CX3 5.1 | For RG6 cable dielectric ø. 4.8-4.9mm |
| 99909478 | BNCM-56-CX3 5.7 | For RG6 cable dielectric ø. 5.4-5.5mm |

Drop Connectors for RG11 Cables

| Product Type/Name | Part Number | Product Description |
|--|-------------|--|
| F Male PushPin™ System CX3™ Standard Compression | | |
| FM-RG11-CX3 7.5 | 99909510-02 | For RG11 10.0 mm cable, with 7.3 mm dielectric |
| FM-RG11Q-CX3 7.5 | 99909515-02 | For RG11 10.5 mm cable, with 7.3 mm dielectric |
| F Male PushPin System CX3 QuickMount™ Connector | | |
| FM-RG11-CX3 QM 10.5 | 99909538-02 | For RG11 10.0-10.5 mm cable |
| FM-RG11Q-CX3 QM 11.0/1.7 | 99909539 | For RG11 10.5-11.0 mm cable |
| FM-RG11-CX3 QM 11.3 | 99909558 | For Tellu7 11.0 mm cable |
| IEC Male PushPin System CX3 Standard Compression | | |
| IEC14M-RG11-CX3 7.5 | 99909535-02 | For RG11 10.0 mm cable, with 7.3 mm dielectric |
| 5/8 MU PushPin System CX3 Standard Compression | | |
| 5/8 MU-RG11-CX3 7.5 | 99909525-02 | For RG11 10.0 mm cable, with 7.3 mm dielectric |
| 5/8 MU PushPin System CX3 QuickMount | | |
| 5/8 MU-RG11-CX3 QM 10.5 | 99909528-02 | For RG11 10.0-10.5 mm cable |
| 3.5/12 Male and Female PushPin System CX3 Standard Compression | | |
| 3.5/12M-RG11-CX3 7.5 | 99909520-02 | For RG11 10.0-10.5 mm cable |
| 3.5/12F-RG11-CX3 7.5 | 99909530-02 | For RG11 10.0-10.5 mm cable |
| 3.5/12 Male & Female PushPin System CX3 QuickMount | | |
| 3.5/12M-RG11-CX3 QM 10.5 | 99909524-01 | For RG11 10.0-10.5 mm cable |
| BNC Male PushPin System CX3 Standard Compression | | |
| BNCM-RG11Q CX3 7.5 | 99909536-02 | For RG11 10.0-10.5 mm cable |
| BNC Male PushPin System CX3 QuickMount | | |
| BNCM-RG11-CX3 QM 10.5 | 99909541-01 | For RG11 10.0-10.5 mm cable |



99909510-02



99909525-02

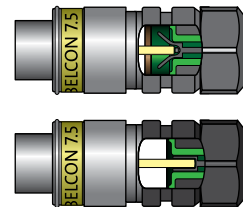


99909538-02



99909520-02

CX3™ RG11 F-connector



Position one:
The pin grips the inner conductor and makes sure that the cable is always inserted correctly in the connector.

Position two:
The pin locks the inner conductor as the cable is inserted while the pin is pushed forward in place – indicating that the cable is correctly installed.

The example above is our CX3 RG11 F-connector but the principle is the same for our other CX3 types.

Functions of our innovative PushPin system:

- The pin is protected in the body during transport (except CX3 5/8M) and is automatically pushed in place during cable installation (before compression)
- Eliminates blind entry when installing, offering visible indication of properly installed cable PushPin technology, and is available in all CX3 RG7/11 connectors, CX3 mini connectors, and in some RG6/59 connector types. BNC and RCA connectors also feature the unique system.

TrueDrop™ Jumper

New Features / New Interface

Improved Interface Seal

1. O-ring not damaged by thread/installation

F Nut: larger thread engagement area and finger friendly design

1. Compensates for varying F Female thread qualities
2. More strong mechanical contact between F Female and F Male ports prevents loosening of connectors
3. Nut Design eases tightening F Nut on Port
4. F Nut tightening quality improved

Mating Surface: Self-Centering and maximizing electrical contact

1. Compensating for varying Female surface qualities
2. Ensuring 360° RF tightness

New Body

1. Enhanced compression technology, increased contact area to max. electrical contact
1. Contact Heel: increased area to max. electrical contact

Benefits

1. Mating Surface

- a. Optimum mechanical and RF fit
 - Less maintenance calls
 - No more loose F connector
 - Best possible noise and ingress protection

2. F Nut

- a. Ensures high torque and low resistance
 - Less maintenance calls
 - No more loose F connector
 - Best possible noise and ingress protection

3. Interface Seal

- a. Improved repeat installations with seal intact
 - Best possible moisture, noise, and ingress protection

4. New Body

- a. New compression technology, increases shielding and minimize transfer impedance, for best possible network performance



TrueDrop™ Jumper Portfolio

Drop Jumpers

RG59 fly leads and RG6 drop jumpers 0.2 m to 15+ m

| Item # | Name | Interface 1 | Interface 2 | Typical Application | Length |
|--|----------------------------|----------------------------|----------------------|---------------------|--------|
| Heading: RG59 White PVC A++ Tri-Shield Cable (Alu Foil/ Tin Plated copper Braid/ Alu Foil) | | | | | |
| 95114010 | FM-CXJ59A++-IEC14M/B/1.0 | F Male | IEC14 Male | Indoor | 1.0 m |
| 95215025 | FM-CXJ59A++-IECF/W/2.5 | F Male | IEC Female | Indoor | 2.5 m |
| 95211005 | FM-CXJ59A++-FM/W/0.5 | F Male | F Male | Indoor | 0.5 m |
| 95211008 | FM-CXJ59A++-FM/W/0.8 | F Male | F Male | Indoor | 0.8 m |
| 95211012 | FM-CXJ59A++-FM/W/1.2 | F Male | F Male | Indoor | 1.2 m |
| 95211020 | FM-CXJ59A++-FM/W/2.0 | F Male | F Male | Indoor | 2.0 m |
| 95211030 | FM-CXJ59A++-FM/W/3.0 | F Male | F Male | Indoor | 3.0 m |
| 95222005 | FM-SC-CXJ59A++-FM SC/W/0.5 | F Male SpringConnect™ | F Male SpringConnect | Indoor | 0.5 m |
| 95222015 | FM-SC-CXJ59A++-FM SC/W/1.5 | F Male SpringConnect | F Male SpringConnect | Indoor | 1.5 m |
| 95222020 | FM-SC-CXJ59A++-FM SC/W/2.0 | F Male SpringConnect | F Male SpringConnect | Indoor | 2.0 m |
| Heading: RG6 Black PVC A++ Tri-Shield Cable (Alu Foil/ Tin Plated copper Braid/ Alu Foil) | | | | | |
| 96411002 | FM-CXJ6A++-FM/B/0.2 | F Male | F Male | Indoor | 0.2 m |
| 96411003 | FM-CXJ6A++-FM/B/0.3 | F Male | F Male | Indoor | 0.3 m |
| 96411004 | FM-CXJ6A++-FM/B/0.4 | F Male | F Male | Indoor | 0.4 m |
| 96411005 | FM-CXJ6A++-FM/B/0.5 | F Male | F Male | Indoor | 0.5 m |
| 96490010 | 5/8MU-CXJ6A++-FM/S/1.0 | 5/8 Male (with Swivel Nut) | Open end | Outdoor | 1.0 m |
| 96408005 | FM-CXJ6A++/S/B/0.5 | F Male | F Female | Outdoor | 0.5 m |
| 96303006 | FM-CXJ6A++-FF/S/B/0.6 | F Male | F Male | Outdoor | 0.6 m |
| 96400002 | FM-CXJ6A++-FM/S/B/0.2 | F Male | F Male | Outdoor | 0.2 m |
| 96400003 | FM-CXJ6A++-FM/S/B/0.3 | F Male | F Male | Outdoor | 0.3 m |
| 96400004 | FM-CXJ6A++-FM/S/B/0.4 | F Male | F Male | Outdoor | 0.4 m |
| 96400005 | FM-CXJ6A++-FM/S/B/0.5 | F Male | F Male | Outdoor | 0.5 m |
| 96400006 | FM-CXJ6A++-FM/S/B/0.6 | F Male | F Male | Outdoor | 0.6 m |
| 96400007 | FM-CXJ6A++-FM/S/B/0.7 | F Male | F Male | Outdoor | 0.7 m |
| 96400008 | FM-CXJ6A++-FM/S/B/0.8 | F Male | F Male | Outdoor | 0.8 m |
| 96400010 | FM-CXJ6A++-FM/S/B/1.0 | F Male | F Male | Outdoor | 1.0 m |
| 96400025 | FM-CXJ6A++-FM/S/B/2.5 | F Male | F Male | Outdoor | 2.5 m |
| 96400030 | FM-CXJ6A++-FM/S/B/3.0 | F Male | F Male | Outdoor | 3.0 m |
| Heading: RG6 Black PVC A++ Tri-Shield Cable (copper Foil/ copper Braid/ copper Foil) | | | | | |
| 96503005 | FM-CXJ6CuA++-FF/S/B/0.5 | F Male | F Female | Outdoor | 0.5 m |



96303006



95215025



96400002



95114010



95222005






95211008

TrueDrop™ Jumper Portfolio – General Specifications

Features

- Conical Interface
- O-ring
- Grooved Nut
- Enhanced compression technology
- Support Sleeve: Dielectric stop and contact heel
- Enhanced F Nut thread

| Technical Data | F male RG6 A++ | F male RG59 A++ | F male SpringConnect RG59 A++ |
|--|---|--|---|
| |  |  |  |
| Transfer Impedance (CoMet) 5-30 Mhz | Class A++ | Class A++ | Class A++ |
| Screening Attenuation (CoMet) 30-3.000 Mhz | Class A++ | Class A++ | Class A++ |
| Intermodulation 3rd Order @ 2 x 20 dBm | <-160 dBc | <-160 dBc | <-160 dBc |
| Sealing Test (IEC IP-code) | IP X8 1 meter / 24 hour | | |
| Return Loss @ 1.0 GHz | <-23 dB | <-25 dB | <-23dB |
| Return Loss @ 2.0 GHz | <-22 dB | <-23 dB | <-20dB |
| Return Loss @ 3.0 GHz | <-22 dB | <-19 dB | <-16dB |
| Insertion Loss @ 1.0 GHz | <-0,10 dB | <-0,13dB | <-0,12dB |
| Insertion Loss @ 2.0 GHz | <-0,10 dB | <-0,14dB | <-0,13dB |
| Insertion Loss @ 3.0 GHz | <-0,12 dB | <-0,18dB | <-0,16dB |
| Max. Tensile Strength | >38 Kgf, >373N | >30 Kgf, >324N | >30 Kgf, >294N |

TrueDrop™ Compression Tools and Strippers

Drop Compression Tools and Strippers

| Product Type/Name | Part Number | Product Description |
|--------------------------------------|-------------|---|
| Compression Tools | | |
| Compression Tool MINI/RG59/6 | 98029075 | Compression Tool IEC/F/BNC/SHORT |
| CX3™ Pocket Tool 59/6 F and IEC | 98029070 | Compression Tool IEC/F |
| Compression Tool CX3 RG59/6 WB | 98029046 | Wall Box Compression Tool (if limited space is available, no rotating head) |
| Compression Tool CX3 all sizes | 98029072-01 | For All Listed F/FM/IEC M & F/BNCM compression connectors (RG59/6/11) |
| Compression Tool RG11 universal | 98029073 | For All Listed RG11/Tellu7 compression connectors |
| CAT-AS-IEC/ICA/RCA-FX | 98029049 | Compression Tool for F and IEC |
| Cable Strippers | | |
| Cable Stripper Rotary RG6 | 98501010 | For 3.0-7.0 mm cable |
| Cable Stripper RG6/59 W. HEX 11 | 98501040-02 | For 3.0-7.0 mm cable |
| Cable Stripper O/D RG6/59 WB | 98501080 | Wall Box Cable Stripper (if limited space is available) |
| Cable Stripper I/D RG6/59 WB | 98501083 | Wall Box Cable Stripper (if limited space is available) |
| Cable Stripper Rotary RG11 | 98501102 | For 10.0-11.00 mm cable |
| Accessories | | |
| Torque Wrench HEX 14 mm 4.5 nm | 98029095 | For RG11 & Hardline F Male connectors |
| Rubber Tool for Cable Support | 98028785 | Supporting grip on cable when pushing connector on cable |
| Conductor Cleaner and Beveller | 98500904 | Centre Conductor Cleaner and Deburr |
| Conductor Cleaner CC-200 EUR | 98500903 | Centre Conductor Cleaner |
| Installation Tool for F connectors | 98028798-02 | F Interface |
| Installation Tool for BNC connectors | 98028796 | BNC Interface |
| Seal Ring 1/2-in for F connectors | 99900902 | F Interface |
| Security Shield Ø20.0 mm | 98028795 | Security Lock for F connectors |



98029070



98029070



98028795



98501080



98029046

Adapters and Accessories

| Product Type/Name | Part Number | Product Description |
|-------------------------------|-------------|--------------------------------|
| 180-Degree Adapters | 86555500 | 180-FF-FF-HQ |
| 90-Degree Adapters | 99530035-02 | 90-FM-FF-HQ |
| 90-Degree Adapters | 99900600 | 90-FM-FF ANGEL |
| Adapters | 87303002 | BNCF 75 Ohm — BNCF 75 Ohm |
| Adapters | 87304500-01 | BNCF 75 Ohm — IECM |
| Adapters | 87304900-01 | BNCF 75 Ohm — 3.5/12M |
| Adapters | 87305502 | BNCF75 Ohm — FF HQ SHORT |
| Adapters | 87315502-01 | BNCF75 Ohm — FF HQ |
| Adapters | 87535502-03 | FM SC-FF LONG MODEL HQ |
| Adapters | 87535510-01 | FM PUSH ON-FF HQ |
| Adapters | 99455510-01 | IECM-FF-HQ |
| Adapters | 99475510-02 | IECF-FF-HQ |
| Adapters | 99534510 | FM-IECM |
| Adapters | 99534710 | FM-IECF |
| Adapters | 99550021 | F-81-HQ CHASSIS |
| Adapters | 99550025-02 | F-81-HQ-1 NiTin CC |
| Adapters | 99550044-02 | F-81-HQ GROUNDING BLOCK CC |
| Adapters | 99550045-02 | F-81HQ DUAL GROUNDING BLOCK |
| Adapters | 99550050-01 | F-81-HQ-D NiTin CC |
| Adapters | 99900450 | F-71-M-S |
| Adapters | 99900500 | F-81 |
| Attenuators F Male - F Female | 90000005 | ATTENUATOR FM-FF 3 dB |
| Attenuators F Male - F Female | 90000010 | ATTENUATOR FM-FF 6 dB |
| Attenuators F Male - F Female | 90000015 | ATTENUATOR FM-FF 10 dB |
| Attenuators F Male - F Female | 90000025 | ATTENUATOR FM-FF 16 dB |
| Attenuators F Male - F Female | 90000030 | ATTENUATOR FM-FF 20 dB |
| Industrial Connectors | 99900513 | F-61DD-HQ W/NUT & TEETH WASHER |
| Industrial Connectors | 99900514 | F-61-HQ-2 (PCB-MOUNT) |
| Industrial Connectors | 99900515-02 | F-61-90SRP-D-HQ (PCB-MOUNT) |
| Industrial Connectors | 99900535 | F-61-OHL-1-01 with O-ring |
| Industrial Connectors | 99900535 | F-61-HQ W/NUT & TEETH WASHER |

| Product Type/Name | Part Number | Product Description |
|-------------------------|-------------|---------------------------------|
| Locking Terminators | 99901850 | CTP-R75 SHORT W.THREAD |
| Locking Terminators | 99901910 | LT-R75S SHORT |
| Locking Terminators | 99901915 | LT-R75ST SHORT W.THREAD |
| Locking Terminators | 99901917 | LT-R75ST SHORT W.THREAD NiTin |
| Nut & O-ring - IECM-CX3 | 99900570-01 | M14 NUT + O-RING F. CX3+CRIMP |
| Nuts & Washers | 99900550-01 | NUT AND WASHER FOR F-81 |
| Nuts & Washers | 99900552 | NUT AND TEETH WASHER F-81 |
| Port Terminators | 89450006 | IECM-R75 PORT TERMINATOR |
| Port Terminators | 89535502-01 | FM R75-FF MALE TERMINATOR NiTin |
| Port Terminators | 99902004-02 | FM SC-R75 1/4-HQ NiTin |
| Port Terminators | 99902008-01 | TR-59-1/4-HQ NiTin |
| Port Terminators | 99902009 | TR-59-1/4 NiTin |



99900518-01



99900550-01



99902008-01



99550045-02



99900552



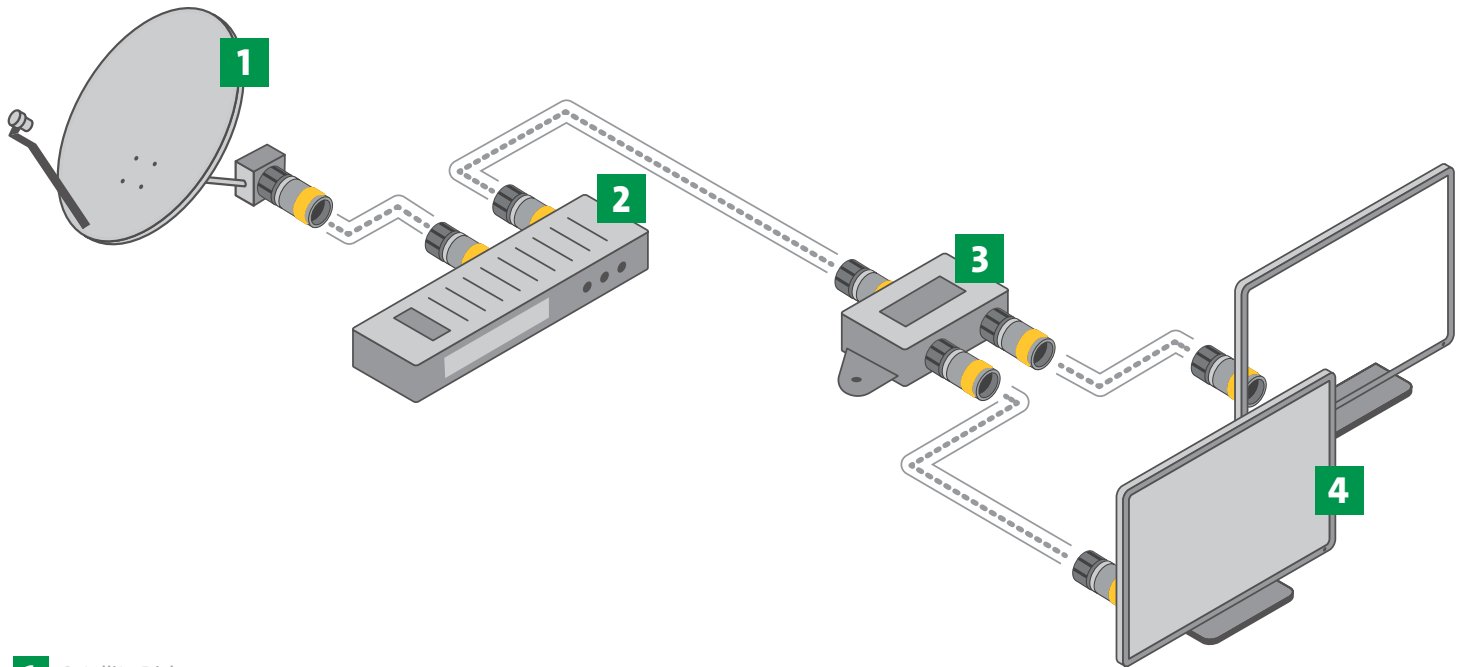
99901915



Corning® Satellite Portfolio

From physical barriers around installation sites to adverse weather conditions, we understand the challenges installers face in the field. That is why our Satellite and Wireless products are built with features that enable fast and easy installation.

Satellite Portfolio



- 1** Satellite Dish
- 2** Satellite Receiver
- 3** Splitter
- 4** Television

Satellite Portfolio – What's new?

New Features / New Interface

Mating Surface: Self-Centering and maximizing electrical contact

1. Compensating for varying Female surface qualities
2. Ensuring 360° RF tightness

F Nut: Larger thread engagement area and finger friendly design

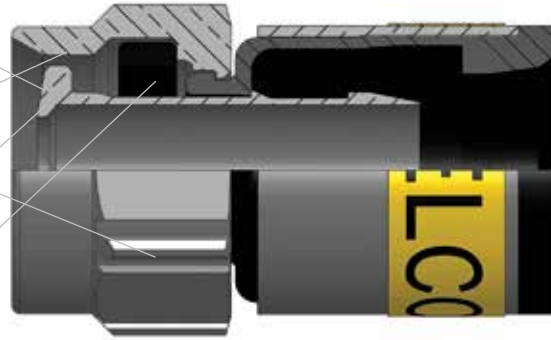
1. Compensates for varying F Female thread qualities
2. More strong mechanical contact between F Female and F Male ports prevents loosening of connectors
3. Nut design eases tightening F Nut on port

Dielectric Stop

1. Prevention of pass/push through

Improved Interface Seal

1. O-ring not damaged by thread/ installation



| Item no. | Name |
|-------------|--------------------------|
| 99909621-03 | F-59 SELF INSTALL 3.9 NI |
| 99909631-03 | F-56 SELF INSTALL 4.9 NI |
| 99909636-02 | F-56 SELF INSTALL 5.1 NI |



98029046



98501080



98501040-02



98501010